

# AGILE S4 1150X525

THE INNOVATIVE PALLET TRUCK (1.200 KG)



## AGILE

The innovative motorized pallet truck that combines electric and manual function for convenient usability.

Compact, light, simple and easy to use, AGILE is the perfect pallet truck to minimize the operator effort, increasing efficiency and safety.

Ideal in deliveries, supermarket, and retail shop, it can be used by everyone.



## DOUBLE TRACTION WHEEL

The first pallet truck with two traction/steering wheels in the market. The big diameter (200mm) and tread (160mm) provide great stability without the needs of stabilizers. Non-marking rubbers grant great traction and comfortable usage on all applications.



## LI-ION BATTERY

Long life 36V battery easy to remove for charging and continuous operation with the spare battery.

Two types of charger available (bench and wall mounted) with standard and fast charging time.



## HIGH SPEED

The two motorwheels grant high performances and make the AGILE the fastest of the category. The AC technology and the soft non-marking rubbers make the AGILE an extremely quiet unit.



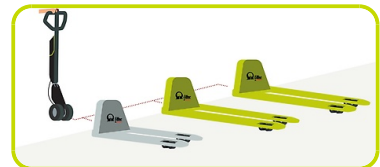
## ELECTRIC / MANUAL SWITCH

The AGILE is equipped with a MANUAL SWITCH that can be used in the eventual case of low battery: electro brakes are released and the small friction created makes the AGILE as reliable as a standard pallet truck. On order to move the unit in narrow space AGILE is equipped with TURTLE SWITCH to allow for operation with the tiller in vertical position on reduced speed.



## ALL FRAMES USE

Separate drive unit can be combined with frames of any size or metal (steel painted, galvanized, stainless steel) with a low impact cost and short delivery time. Please ask to your Pramac dealer for the combination requested.



## LOW MAINTENANCE COST

Simple design with very few components and wiring enabling easy and fast maintenance.



## OPTIONS

- Quicklift hydraulic pump to lift the pallet in just two strokes
- Additional battery for continuous use
- Fast charging battery charger



## Description

1.1 Manufacturer			PR INDUSTRIAL
Lift			Manual
1.3 Drive			ELECTRIC
1.4 Operator type			Pedestrian
1.5 Load capacity	Q	Kg	1200
1.6 Load centre distance	c	mm	600
1.8 Load axle to end forks	x	mm	932
1.9 Wheel base	y	mm	1192

## Weights

2.1 Service weight (battery included)		Kg	88
2.2 Axle load, laden rear		Kg	891
2.2 Axle load, laden front		Kg	395
2.3 Axle load, unladen front		Kg	59
2.3 Axle load, unladen rear		Kg	27

## Tyres/Chassis

3.1 Tyres: front wheels			RUBBER
3.1 Tyres: rear wheels			POLY
3.2 Tyre size: Steering wheels - Width		mm	40
3.2 Tyre size: Steering wheels - Diameter		mm	200
3.3 Tyre size: Load rollers - Diameter		mm	82
3.3 Tyre size: Load rollers - Width		mm	60
3.5 Tyre size: rear wheels - Q.ty (X=driven)		nr	4
3.5 Tyre size: front wheels - Q.ty (X=driven)		nr	2x
3.6 Tread, front	b10	mm	162
3.7 Tread, rear	b11	mm	375

## Dimensions

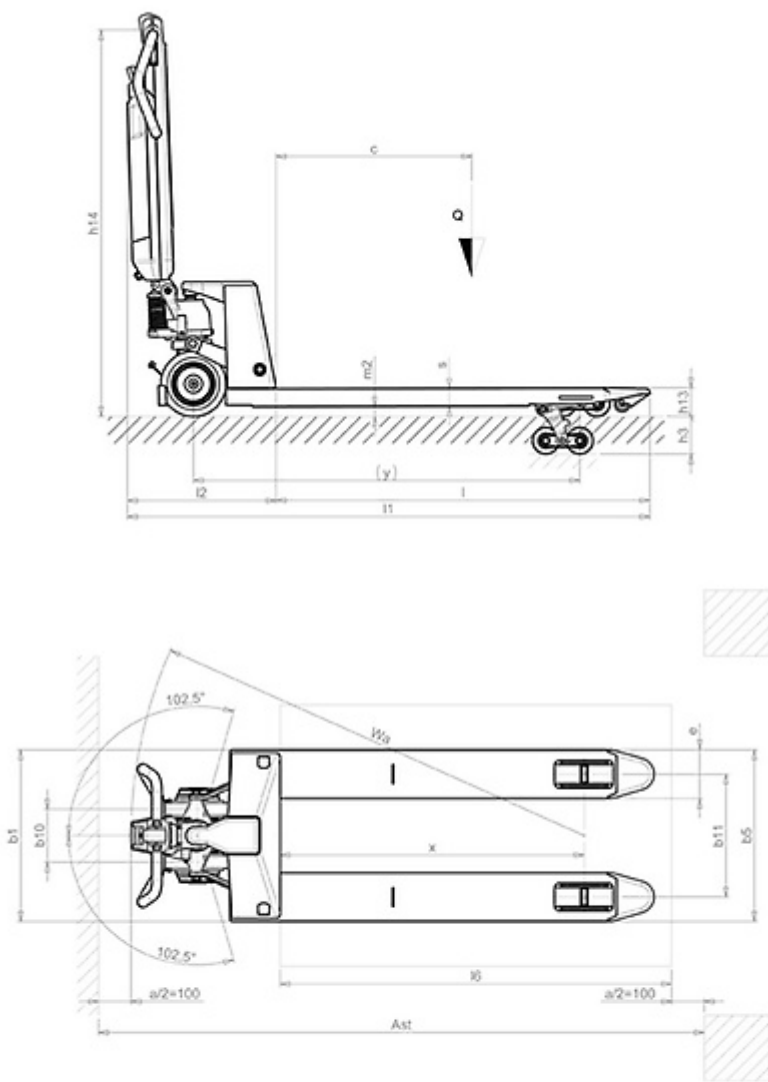
4.4 Lift height	h3	mm	115
4.9 Height of tiller in drive position max	h14	mm	1185
4.9 Height of tiller in drive position min	h14	mm	710
4.15 Height, lowered	h13	mm	85
4.19 Overall length	l1	mm	1600
4.20 Length to face of forks	l2	mm	450
4.21 Overall width	b1	mm	525
4.22 Fork dimensions - Thickness	s	mm	55
4.22 Fork dimensions - Width	e	mm	150
4.22 Fork dimensions - Length	l	mm	1150
4.25 Distance between fork arms	b5	mm	525
4.32 Ground clearance, centre of wheelbase	m2	mm	30
4.34 Aisle width	Ast	mm	2063
4.35 Turning radius	Wa	mm	1382

**Performance data**

5.1 Travel speed laden	Km/h	4.2
5.1 Travel speed unladen	Km/h	5.3
5.2 Lifting speed laden	strokes	12
5.2 Lifting speed unladen	strokes	12
5.3 Lowering speed laden	m/s	0.1
5.3 Lowering speed unladen	m/s	0.02
5.8 Max gradeability laden	%	5
5.8 Max gradeability unladen	%	10
5.10 Service brake		Electric

**Electric motors**

6.1 Drive motor power	kW	2x0.25
Battery Type	Tipo	Li-ion
6.4 Battery voltage	V	36
6.4 Battery capacity, Min	Ah	10.4
6.4 Battery capacity, Max	Ah	10.4
6.5 Battery weight, Min	Kg	3
6.5 Battery weight, Max	Kg	3
8.4 Sound level at driver's ear	dB(A)	60



The information is aligned with the Data file at the time of download. Printed on 26/09/2019 (ID 10531)

©2019 | PR INDUSTRIAL s.r.l. | All rights reserved | Image shown may not reflect actual package. Specifications subject to change without notice

