

## CX12 S2 1150X520

SMALL SIZE, GREAT MANOEUVRABILITY



### CX12

The CX12 electric pallet truck is suitable for carrying loads on smooth or paved surfaces. Its small size and turning radius make it the ideal tool to work with in confined spaces, such as lorries or narrow aisles.



### MANOEUVRABILITY

Thanks to the B1 width, which is equal to the fork gauge, and the L2 measurement of 360 mm, the CX12 electric pallet truck is the ideal tool for the handling of pallets on lorries, in supermarket aisles and any application where space is limited. This machine is the best configuration in its category thanks to the frame width, in-service weight and turning radius, thus guaranteeing great manoeuvrability and compactness.



## STEERING WHEEL AND CONTROLS

- Ergonomic tiller
- Luminous indicator for battery state control.
- Butterfly valves for traction control.
- Safety pushbutton with warning buzzer.
- Forks way up/down control positioned on both sides of the handle (only on CX14).
- Hour counter in the Plus and Gel versions (only on CX14).
- “Tortoise” pushbutton for slow motion, which allows for the carrying out of operations with the tiller in vertical position.



## ROLLERS

Standard configuration provided with single polyurethane rollers. Available tandem rollers as optional.



## Description

|                            |            |    |      |
|----------------------------|------------|----|------|
| 1.1 Manufacturer           | LIFTER     |    |      |
| Lift                       | ELECTRIC   |    |      |
| 1.3 Drive                  | ELECTRIC   |    |      |
| 1.4 Operator type          | Pedestrian |    |      |
| 1.5 Load capacity          | Q          | Kg | 1200 |
| 1.6 Load centre distance   | c          | mm | 600  |
| 1.8 Load axle to end forks | x          | mm | 886  |
| 1.9 Wheel base             | y          | mm | 1119 |

## Weights

|                                       |    |     |
|---------------------------------------|----|-----|
| 2.1 Service weight (battery included) | Kg | 155 |
| 2.2 Axle load, laden rear             | Kg | 924 |
| 2.2 Axle load, laden front            | Kg | 431 |
| 2.3 Axle load, unladen front          | Kg | 124 |
| 2.3 Axle load, unladen rear           | Kg | 31  |

## Tyres/Chassis

|  |         |     |  |
|--|---------|-----|--|
| 3.1 Tyres: front wheels                            | RUBBER  |     |  |
| 3.1 Tyres: stabilizers wheels - front              | POLY.I. |     |  |
| 3.1 Tyres: rear wheels                             | NYLON   |     |  |
| 3.2 Tyre size: Steering wheels - Width             | mm      | 50  |  |
| 3.2 Tyre size: Steering wheels - Diameter          | mm      | 186 |  |
| 3.3 Tyre size: Load rollers - Diameter             | mm      | 82  |  |
| 3.3 Tyre size: Load rollers - Width                | mm      | 82  |  |
| 3.4 Tyre size: stabilizers wheels front - Diameter | mm      | 75  |  |
| 3.4 Tyre size: stabilizers wheels front - Width    | mm      | 32  |  |
| 3.5 Tyre size: rear wheels - Q.ty (X=driven)       | nr      | 2   |  |
| 3.5 Tyre size: front wheels - Q.ty (X=driven)      | nr      | 1x  |  |
| 3.6 Tread, front                                   | b10 mm  | 369 |  |
| 3.7 Tread, rear                                    | b11 mm  | 371 |  |

## Dimensions

|  |        |      |
|--|--------|------|
| 4.4 Lift height                            | h3 mm  | 115  |
| 4.9 Height of tiller in drive position min | h14 mm | 885  |
| 4.9 Height of tiller in drive position max | h14 mm | 1345 |
| 4.15 Height, lowered                       | h13 mm | 85   |
| 4.19 Overall length                        | l1 mm  | 1510 |
| 4.20 Length to face of forks               | l2 mm  | 360  |
| 4.21 Overall width                         | b1 mm  | 520  |
| 4.22 Fork dimensions - Thickness           | s mm   | 55   |
| 4.22 Fork dimensions - Width               | e mm   | 150  |
| 4.22 Fork dimensions - Length              | l mm   | 1150 |
| 4.25 Distance between fork arms            | b5 mm  | 520  |
| 4.32 Ground clearance, centre of wheelbase | m2 mm  | 30   |
| 4.34 Aisle width                           | Ast mm | 1782 |
| 4.35 Turning radius                        | Wa mm  | 1268 |

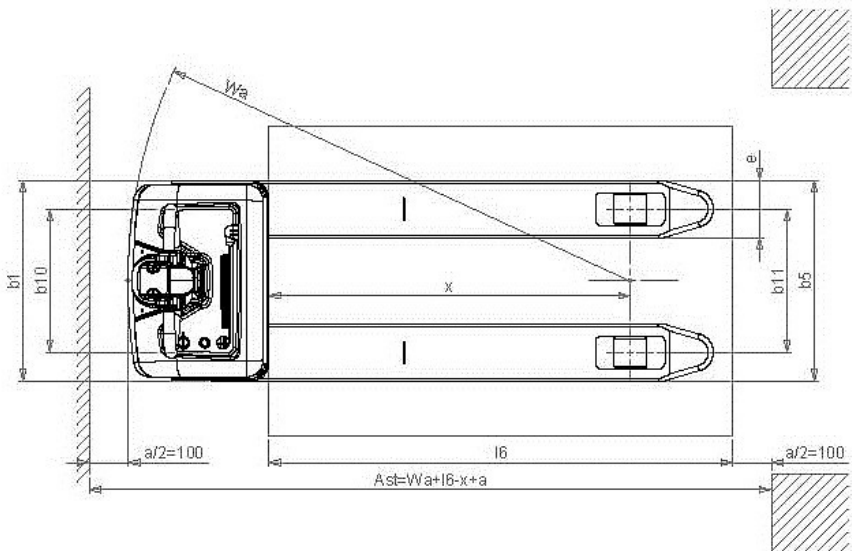
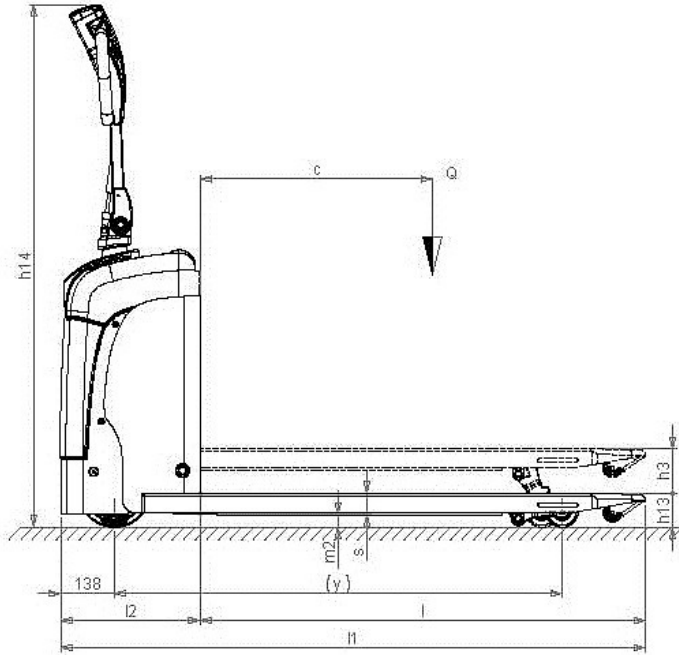
**Performance data**

|                              |      |          |
|------------------------------|------|----------|
| 5.1 Travel speed laden       | Km/h | 4.3      |
| 5.1 Travel speed unladen     | Km/h | 4.8      |
| 5.2 Lifting speed laden      | m/s  | 0.03     |
| 5.2 Lifting speed unladen    | m/s  | 0.04     |
| 5.3 Lowering speed laden     | m/s  | 0.05     |
| 5.3 Lowering speed unladen   | m/s  | 0.02     |
| 5.8 Max gradeability laden   | %    | 10       |
| 5.8 Max gradeability unladen | %    | 25       |
| 5.10 Service brake           |      | Electric |

**Electric motors**

|   |       |            |
|---|-------|------------|
| 6.1 Drive motor power                         | kW    | 0.35       |
| 6.2 Lift motor power                          | kW    | 0.4        |
| Battery Type                                  | Tipo  | AUTOMOTIVE |
| 6.4 Battery voltage                           | V     | 24         |
| 6.4 Battery capacity, Min                     | Ah    | 60         |
| 6.4 Battery capacity, Max                     | Ah    | 60         |
| 6.5 Battery weight, Min                       | Kg    | 25         |
| 6.5 Battery weight, Max                       | Kg    | 40         |
| 6.6 Energy consumption according to VDI cycle | kWh/h | 0.28       |
| 8.4 Sound level at driver's ear               | dB(A) | 67         |

\*Integrated battery and battery charger



The information is aligned with the Data file at the time of download. Printed on 01/09/2020 (ID 452)

©2019 | PR INDUSTRIAL s.r.l. | All rights reserved | Image shown may not reflect actual package. Specifications subject to change without notice

