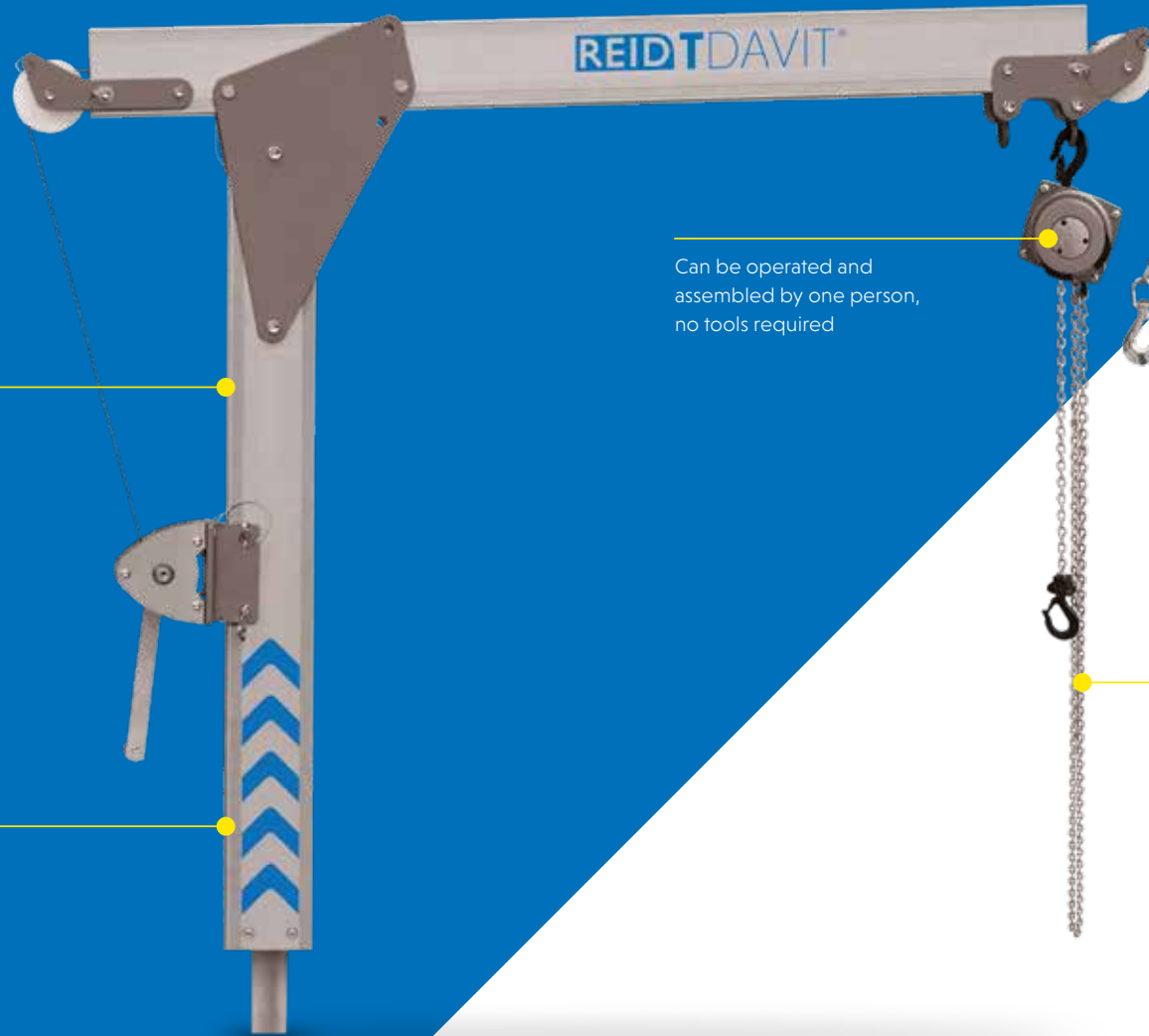


> TDAVIT®



Clean, anodised finish for increased wear resistance

Can be operated and assembled by one person, no tools required

Can be rotated 360° under a full load

Carrying capacity of up to 500kg for goods lifting

Our TDAVIT is lightweight, portable, and can be custom-designed and manufactured to specifically meet our customers' individual needs. Truly pioneering, it offers a lifting capacity of up to 500kg and 360° rotation under a full load.

Key features

- EN795:2012 Certified
- ATEX Certified
- Can support goods and personnel lifting;
 - Goods WLL of up to 500kg
 - Personnel WLL of up to 250kg
- Can be operated and assembled by one person, no tools required
- Can be rotated 360° under a full load
- Designed with a universal kingpin which is compatible for all REID sockets
- Clean, anodised finish for increased corrosion resistance
- A variety of attachments for a range of applications
- Engineered designs and bespoke sections reduce weight, providing lightweight portability

Configurations

The TDAVIT is available in a range of configurations and can be customised in line with specific requirements (subject to WLL rating).

**Refer to REID for further guidance



**500KG
WLL**



**1 PERSON
ASSEMBLY**



**CUSTOMISED
& BAGGED**



**EN795
CERTIFIED**



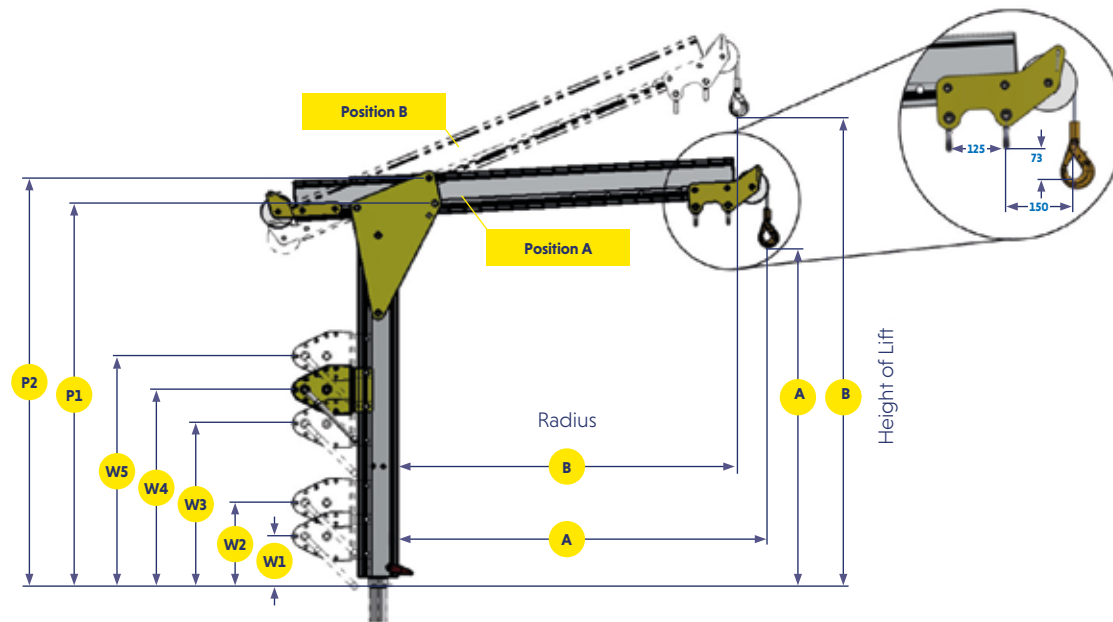
**ATEX
CERTIFIED**

Features & Performance

	BEAM 1	BEAM 2	BEAM 3	BEAM 4
Accreditations, Certifications & Standards				
EN795:2012	✓	✓	✓	✗
PD CEN / TS16415:2013	✓	✓	✓	✗
AS/NZS 5532:2013	✓	✓	✓	✗
ATEX Certified [Zone 2]	✓	✓	✓	✓
ATEX Certified [Zone 1]	Optional	Optional	Optional	Optional
IRATA	✓	✓	✓	✗
Capacity				
Maximum Goods Lifting [kg]	500	500	375	300
Maximum Personnel Lifting [kg]	250	250	150	✗
Fall Arrest [Persons]	1	1	1	✗
Dimensions				
Maximum Reach [mm]	1000	1200	1600	2000
Maximum Height of Lift [mm]	2266	2342	2495	2647
Socket Diameter				
65mm	✓	✓	✓	✓
Socket Options				
Top Mount	✓	✓	✓	✓
Flush Mount	✓	✓	✓	✓
Side Mount	✓	✓	✓	✓
Bridge Mount	✓	✓	✓	✓
Pedestal	✓	✓	✓	✓
Extension Post	✓	✓	✓	✓
Standard Features				
Shackle Lifting points	✓	✓	✓	✓
Component Weight < 25kg	✓	✓	✓	✓
Optional Extras				
Winch Capable	✓	✓	✓	✓
Finishes				
Anodised	✓	✓	✓	✓
316SS Fixings	Optional	Optional	Optional	Optional
Marine Spec	Optional	Optional	Optional	Optional

TDAVIT[®] WINCHED

- A** Position A
- B** Position B
- W1** Winch Position 1
- W2** Winch Position 2
- W3** Winch Position 3
- W4** Winch Position 4
- W5** Winch Position 5
- P1** Height of Pin Position 1
- P2** Height of Pin Position 2



TDAVIT® WINCHED

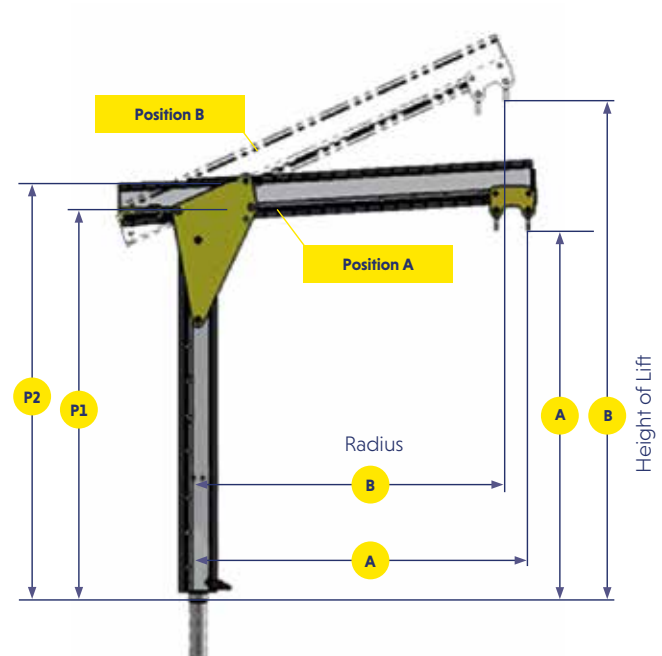
Beam Option	1		2		3		4	
POSITION	A	B	A	B	A	B	A	B
RADIUS [mm]*	1000	925	1200	1110	1600	1478	2000	1850
WLL [kg]	500		500		375		300	
WEIGHT [kg]	12		13		16		19	

Column Option	Height of Lift (HoL) [mm]								Weight [kg]	Winch Position		P1	P2
	A	B	A	B	A	B	A	B		W1	W2		
1	839	1151	839	1227	839	1380	839	1532	20	W1	190	982	1081
										W2	320		
2	1019	1331	1019	1407	1019	1560	1019	1712	21	W1	190	1162	1261
										W2	320		
										W3	625		
3	1329	1641	1329	1717	1329	1870	1329	2022	23	W1	190	1472	1571
										W2	320		
										W3	625		
										W4	755		
4	1644	1956	1644	2032	1644	2185	1644	2337	25	W3	625	1787	1886
										W4	755		
										W5	885		
5	1954	2266	1954	2342	1954	2495	1954	2647	28	W5	885	2097	2196

*Radii achieved at ≈ 75% WLL

TDAVIT® SHACKLED

- A** Position A
- B** Position B
- P1** Height of Pin Position 1
- P2** Height of Pin Position 2



TDAVIT® SHACKLED

Beam Option	1		2		3		4	
POSITION	A	B	A	B	A	B	A	B
RADIUS [mm]*	850	775	1050	960	1450	1328	1850	1700
WLL [kg]	500		500		375		300	
WEIGHT [kg]	10		11		14		17	

Column Option	Height of Lift (HoL) [mm]								Weight [kg]	P1	P2
	A	B	A	B	A	B	A	B			
1	912	1224	912	1300	912	1453	912	1605	20	982	1081
2	1092	1404	1092	1480	1092	1633	1092	1785	21	1162	1261
3	1402	1714	1402	1790	1402	1943	1402	2095	23	1472	1571
4	1717	2029	1717	2105	1717	2258	1717	2410	25	1787	1886
5	2027	2339	2027	2415	2027	2568	2027	2720	28	2097	2196

*Radii achieved at = 75% WLL