

> PORTADAVIT®

Can be rotated 360° under a full load

Clean powder-coated finish for increased wear resistance

Can be operated and assembled by one person, no tools required

Incredibly lightweight – it weighs just 24kg



Our **PORTADAVIT** is a rapid deployable, lightweight solution that offers a WLL of up to 1000kg and can be easily rotated 360° under a full load. The system can be operated by just one person and can support both goods and personnel lifting.

Key features

- EN795:2012 Certified
- ATEX Certified
- Can support goods and personnel lifting;
 - Goods WLL of up to 1000kg
 - Personnel WLL of up to 300kg
- Ease of assembly with the use of just one pin, no tools required
- Can be rotated 360° under a full load
- Engineered with easy radius adjustment
- Engineered designs and bespoke sections reduce weight, providing lightweight portability

Configurations

The **PORTADAVIT** is available in a range of standard configurations. It can also be customised in line with specific requirements and interchangeable components (subject to WLL rating).



**500KG - 1000KG
WLL**



**1 PERSON
ASSEMBLY**



**24KG - 39KG
BAGGED**



**EN795
CERTIFIED**



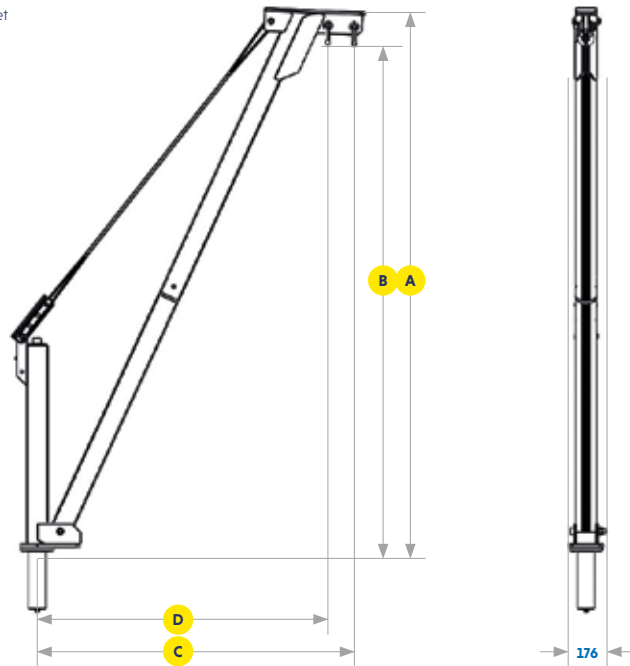
**ATEX
CERTIFIED**

Features & Performance

	500	1000
Accreditations, Certifications & Standards		
EN795:2012	✓	✓
PD CEN / TS16415:2013	x	✓
AS/NZS 5532:2013	✓	✓
ATEX Certified [Zone 2]	✓	✓
ATEX Certified [Zone 1]	Optional	Optional
IRATA	x	✓
Capacity		
Maximum Goods Lifting [kg]	500	1000
Maximum Personnel Lifting [kg]	250	300
Fall Arrest [Persons]	1	2
Dimensions		
Maximum Reach [mm]	1200	1200
Maximum Height of Lift [mm]	2107	2100
Socket Diameter		
65mm	✓	x
95mm	x	✓
Socket Options		
Top Mount	✓	✓
Flush Mount	✓	✓
Side Mount	✓	✓
Bridge Mount	✓	x
Pedestal	✓	x
Extension Post	✓	x
Standard Features		
Shackle Lifting points	✓	✓
Weight < 25kg	✓	x
Optional Extras		
Winch Capable	Optional	x
Finishes		
Anodised	x	✓
Powder Coated	✓	x
316SS Fixings	Optional	Optional
Marine Spec	Optional	Optional

PORTADAVIT® 500

- A** Overall height from top of socket
- B** Height to outer shackle
- C** Radius to outer shackle
- D** Radius to inner shackle

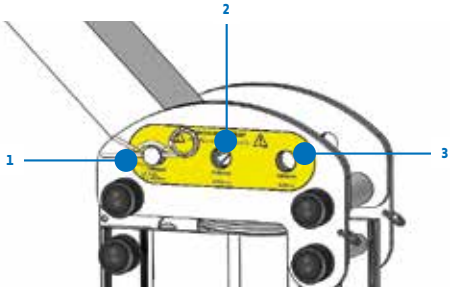
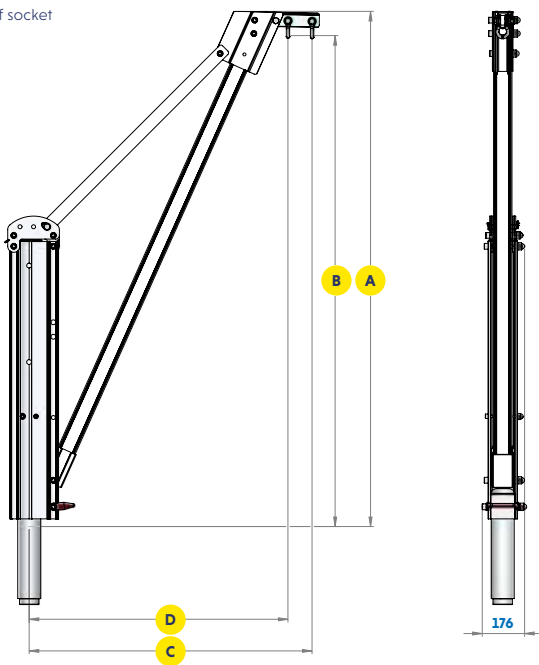


WLL	Radius Adjustment Points	Dimensions [mm]			
		A	B	C*	D*
500kg	1	2036	1925	1200	1100
	2	2139	2028	1000	900
	3	2218	2107	800	700

*Radii achieved at = 75% WLL

PORTADAVIT® 1000

- A** Overall height from top of socket
- B** Height to shackles
- C** Radius to outer shackle
- D** Radius to inner shackle



WLL	Radius Adjustment Points	Dimensions [mm]			
		A	B	C*	D*
1000kg	1	2100	2000	1200	1100
	2	2150	2050	1100	1000
	3	2200	2100	1000	900

*Radii achieved at ≈ 75% WLL