



LIFTING CLAMPS

HORIZONTAL LIFTING



FHX / FHSX

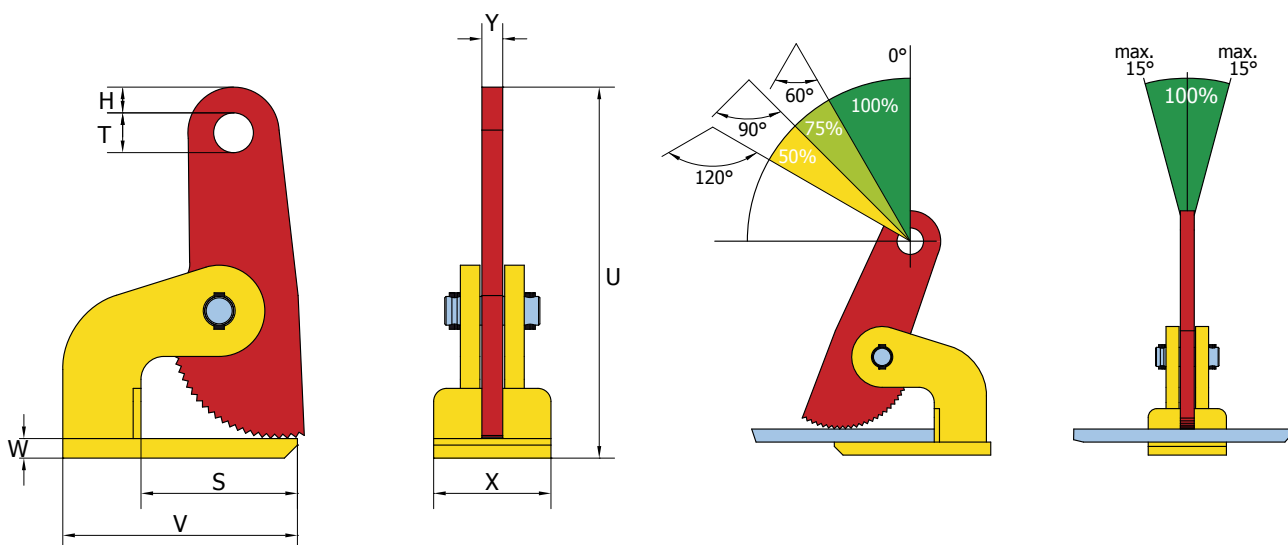
Lightweight heavy duty clamp for horizontal lifting

Application:

- For horizontal lifting and transporting of steel plates and other non-deflecting materials
- Terrier FHX / FHSX lifting clamps must always be used in pairs (or multiple pairs)
- Jaw openings available from: 0 to 150 mm
- FHSX types are supplied with enlarged jaw opening
- Working load limit (WLL) 1000 - 25000kg per pair (Higher WLL available upon request)

Features and Benefits:

- Compact design and high lifting capacity
- Lightweight design for easy handling
- Tough quality heavy duty welded body



Article Nr.	Type	Capacity (kg/pair)	Jaw opening (R) (mm)	Dimensions in mm								Weight (kg/pc)
				V	S	W	T	H	X	U	Y	
953100	1 FHX	1000	0 - 35	140	99	10	25	11,5	65	188	15	2,6
953200	2 FHX	2000	0 - 60	180	118	15	30,5	19,5	90	287	16	7
953300	3 FHX	3000	0 - 60	180	118	20	30,5	19,5	90	291	16	8
953400	4 FHX	4000	0 - 60	220	145	25	30,5	19,5	105	304	20	13
953600	6 FHX	6000	0 - 60	220	145	25	30,5	19,5	110	307	20	14
953800	8 FHX	8000	0 - 60	225	135	35	30,5	19,5	120	336	30	19
953010	10 FHX	10000	0 - 60	225	135	35	30,5	19,5	120	336	30	19
953012	12 FHX	12000	0 - 60	225	135	35	30,5	19,5	120	336	30	19
953015	15 FHX	15000	0 - 60	262	147	35	43	21,5	160	344	35	30
953025	25 FHX	25000	0 - 60	262	147	40	43	21,5	175	349	35	33
954200	2 FHSX	2000	0 - 100	180	120	15	30,5	19,5	90	383	15	9,2
954300	3 FHSX	3000	0 - 100	180	120	20	30,5	19,5	90	387	15	10
954400	4 FHSX	4000	0 - 100	220	145	25	30,5	19,5	105	414	20	15
954600	6 FHSX	6000	0 - 100	220	145	25	30,5	19,5	120	414	20	16,5
954800	8 FHSX	8000	0 - 100	225	135	35	30,5	19,5	120	428	30	21
954010	10 FHSX	10000	0 - 100	225	135	35	30,5	19,5	120	428	30	22
954012	12 FHSX	12000	0 - 100	225	135	35	30,5	19,5	120	428	30	22
853820	15 FHSX	15000	0 - 150	350	240	35	45	27,5	140	665	35	53

TDH

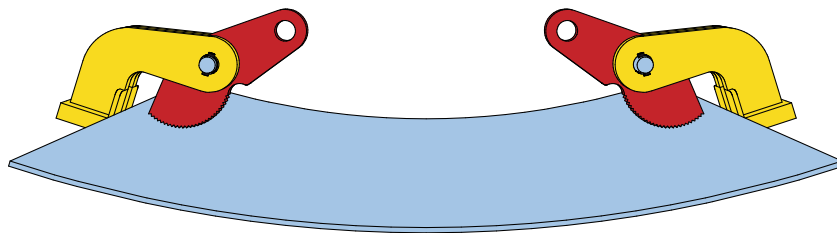
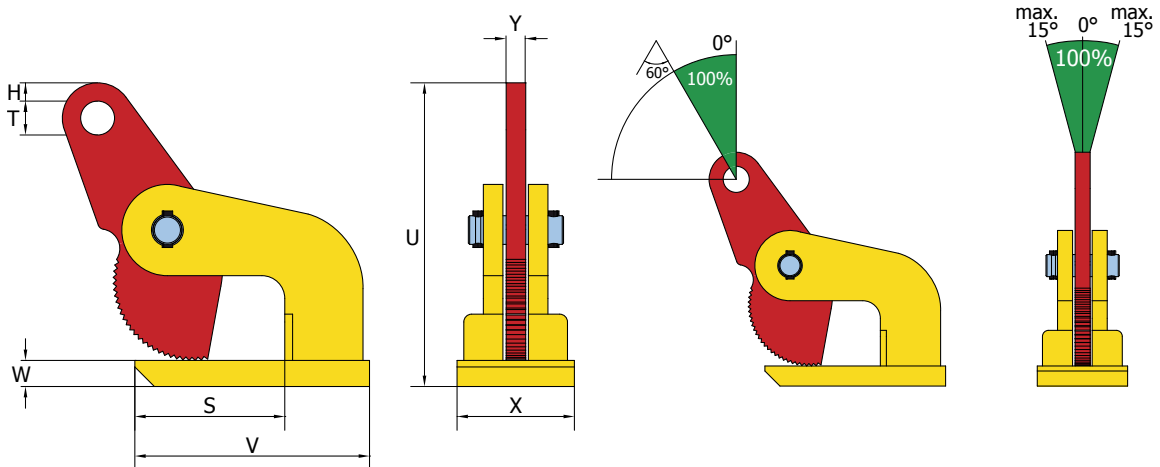
Lightweight heavy duty clamp for safe and easy lifting of bending sheets

Application:

- For horizontal lifting and transporting of sheets that will bend or deflect when being lifted
- Terrier TDH lifting clamps must always be used in pairs (or multiple pairs)
- Jaw openings available from: 0 to 50 mm
- Working load limit (WLL) 1000 - 6000kg

Features and Benefits:

- Compact design and high lifting capacity
- Lightweight design for easy handling
- Tough quality heavy duty welded body



Article Nr.	Type	Capacity (kg/pair)	Jaw opening (R) (mm)	Dimensions in mm								Weight (kg/pc)
				V	S	W	T	H	X	U	Y	
970100	1 TDH	1000	0 - 15	140	99	10	22,5	13,5	65	167	15	2,5
970200	2 TDH	2000	0 - 35	180	114	20	26	14	90	233	15	8
970400	4 TDH	4000	0 - 50	235	129	30	40	25	130	304	20	18
970600	6 TDH	6000	0 - 50	235	129	30	40	25	130	304	20	18

THSK

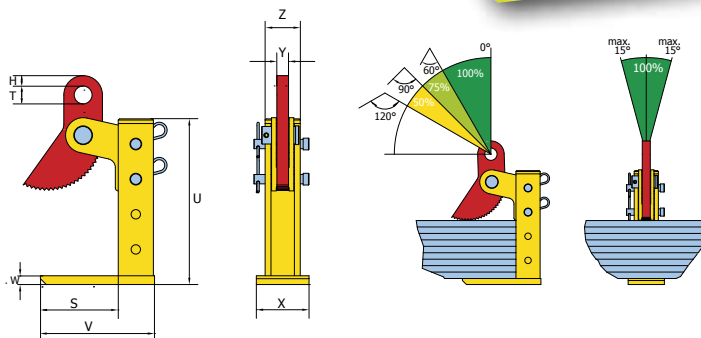
Adjustable extra large jaw opening for stacks, packages and thick single plate lifting

Application:

- For horizontal lifting, handling and transporting of banded/secured stacks, packages and or single thick steel plates
- Terrier THSK lifting clamps must always be used in pairs (or multiple pairs)
- Adjustable jaw offers wide variety of openings available from 3 to 420 mm
- Working load limit (WLL) 1500 - 9000kg per pair

Features and Benefits:

- Easy adjustable jaw opening
- Quick and easy placing and removing of the clamp
- Lightweight design for easy handling
- Tough quality heavy duty welded body



Article Nr.	Type	Capacity (kg/pair)	Jaw opening (R) (mm)	Dimensions in mm									Weight (kg/pc)
				V	S	W	T	H	U	X	Z	Y	
815180	1.5 THSK/180	1500	3 -180	201	135	15	30,5	18	289	90	60	20	9,5
815300	1.5 THSK/300	1500	3 -300	201	135	15	30,5	18	409	90	60	20	11
830180	3 THSK/180	3000	3 -180	241	165	20	30,5	18	296	105	69	20	13
830300	3 THSK/300	3000	3 -300	241	165	20	30,5	18	416	105	69	20	15
845180	4.5 THSK/180	4500	3 -180	241	165	20	30,5	18	296	105	69	20	13
845420	4.5 THSK/420	4500	3 -420	241	165	20	30,5	18	536	105	69	20	17
860180	6 THSK/180	6000	3 -180	256	160	25	30,5	18	304	120	75	20	18
860420	6 THSK/420	6000	3 -420	256	160	25	30,5	18	544	120	75	20	24
890180	9 THSK/180	9000	3 -180	256	160	25	30,5	18	304	120	75	20	18
890420	9 THSK/420	9000	3 -420	256	160	25	30,5	18	544	120	75	20	24

FHX-V

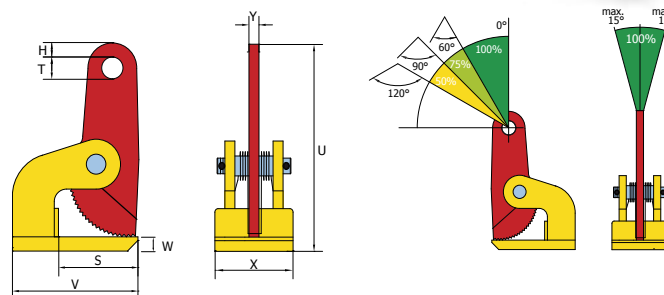
User-friendly horizontal clamp where the torsion spring ensures that the clamp stays in position after it has been set in place

Application:

- For horizontal lifting and transporting of steel plates and other non-deflecting materials
- Terrier FHX-V lifting clamps must always be used in pairs (or multiple pairs)
- Jaw openings available from: 0 to 60 mm
- Working load limit (WLL) 1000 - 6000kg

Features and Benefits:

- Pre-tensioned spring cam feature for easy single operator usage
- Clamp can be closed and fixed on any desired spot
- Compact and lightweight design for easy handling
- Tough quality heavy duty welded body



Article Nr.	Type	Capacity (kg/pair)	Jaw opening (R) (mm)	Dimensions in mm									Weight (kg/pc)
				V	S	W	T	H	U	X	Y		
953101	1 FHX-V	1000	0 - 35	140	99	10	26,5	12	188	85	15	3	
953201	2 FHX-V	2000	0 - 60	180	114	15	30,5	19	286	125	16	8	
953301	3 FHX-V	3000	0 - 60	200	125	20	30,5	19	302	140	20	12,2	
953401	4 FHX-V	4000	0 - 60	220	139	30	30,5	19	316	165	20	17	
953601	6 FHX-V	6000	0 - 60	220	139	30	30,5	19	316	165	20	17	

Specifications are subject to change